

# AW-IHB-0800 Industrial Unmanaged 90W bt PoE Switch

## Quick Installation Guide

### INTRODUCTION

The AW-IHB-0800 is an industrial unmanaged switch that supports 4x GbE 90W bt PoE, 2x GbE UTP, and 2x GbE SFP ports. It's IEEE 802.3af/at/bt compliant and delivers the real full-load output of 360W on 4 PoE ports (up to 90W per port). This industrial PoE switch also features a wide operating temperature range from -40°C to 75°C for harsh environment.

### PACKAGE CONTENTS

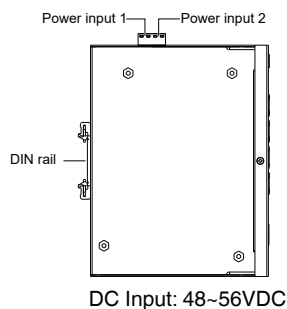
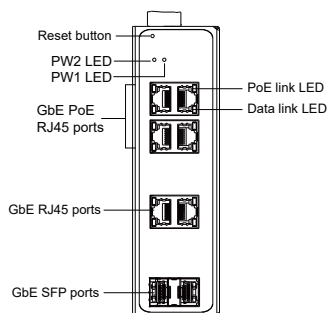
* 1x PoE switch	* 1x Quick Installation Guide	* 1x 4-pin terminal block
* 1x DIN rail bracket		

### ⚠ IMPORTANT:

1. Install the converter in a ventilated and dry place that is free of electromagnetic source, vibration, moisture, and dust.
2. Make sure the ventilation openings on the converter are not blocked.
3. Use fiber optic cables and transceiver compliant with the following: Multi-mode: 50/125um, 62.5/125um, 850nm; Single-mode): 9/125um ,1310nm.
4. DC input: 48V~56VDC for 30W 802.3af/at. DC input: 52~56VDC for 90W 802.3bt Follow the printed polarity for V+, V-, and Ground.

### CONNECTION

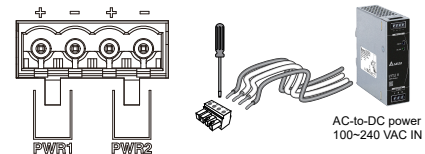
1. Pull out the 2-pin terminal block.
2. Connect power wires to V+, and V- (54V~56VDC). Use a flatblade screwdriver to secure the wire-clamp screws.
3. Connect SFP transceivers to the fiber port.
4. install the 2-pin terminal block, and check power LED.
5. The switch must be grounded properly by using a ground wire to connect switch ground screw to earth ground, otherwise, the surge protection level will be greatly reduced.



### ⚠ IMPORTANT:

Ground screw  
\* Make sure the grounding resistance is lower than 0.5Ω.

Solid or stranded (AWG): 12-24/14-22  
Wire strip length: 7-8mm  
Torque: 5lb-In/0.5Nm/0.56Nm



DC: 48V ~ 56V for 30W at/af  
DC: 52 ~ 56VDC for 90W bt

### Power LEDs

LED	Color	State	Description
Power	Amber	On	The switch is powered on correctly.
		Off	Not receiving power from power 1 or power 2.
PoE Link	Amber	On	PD is detected on the designated port.
		Off	No PD is detected.
Data Link	Green	On	Tx link is detected.
		Off	Link is not detected.
		Flashing	Data is being transmitted or received.
SFP Link	Green	On	Fiber link is detected.
		Off	Fiber link is not detected.
		Flashing	Data is being transmitted or received.

All specifications are subject to change without notice.  
Copyright © 2022 VIVOTEK INC. All rights reserved.