

# FE9191-H-v2

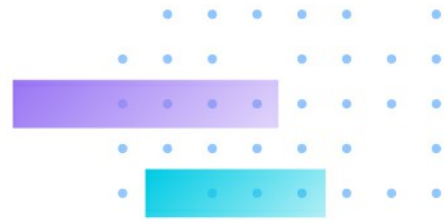
Fisheye Network Camera

---

12MP • 360° Fisheye • WDR Pro • Smart Stream III • Smart VCA • IK10

- 12-Megapixel CMOS Sensor
- 30 fps @ 2944x2944
- WDR Pro (120dB) for Improved Visibility in High Contrast Scenes
- Smart Motion Detection to Reduce False Alarms
- Smart VCA (Intrusion Detection, Crowd Detection, Loitering Detection)
- Trend Micro IoT Security
- Built-in Microphone
- Local Dewarp





# Technical Specifications

## System Information

Model	FE9191-H-v2
CPU	Multimedia SoC (System-on-Chip)
Flash	8 GB
RAM	2 GB

## Camera Features

Image Sensor	1/2.3" Progressive CMOS in 4056x3040
Max. Resolution	2944x2944
Lens Type	Fixed-focal
Focal Length	f = 1.22 mm
Aperture	F2.0
Iris Type	Fixed iris
Field of View	180° (Horizontal) 180° (Vertical) 180° (Diagonal)
Shutter Time	1/5 sec. to 1/32,000 sec.
WDR Technology	WDR Pro
Day/Night	Yes
Removable IR-cut Filter	Yes
Minimum Illumination	0.1 lux @ F2.0 (Color) <0.005 lux @ F2.0 (B/W)
Pan/Tilt/Zoom Functionalities	ePTZ: 12x digital zoom (12x on IE plug-in)
Storage	Seamless Recording to MicroSD/SDHC/SDXC card and recording to network-attached storage (NAS)
Built-in Installation Aids	Pixel calculator

## Video

Video Compression	H.265, H.264, MJPEG
Maximum Frame Rate	30 fps @ 2944x2944 (WDR off) 20 fps @ 2944x2944 (WDR on)
Maximum Streams	3 video streams (Up to 8 configurable profiles)
S/N Ratio	56.9 dB
Dynamic Range	120 dB
Video Streaming	Adjustable resolution, quality and constant bit rate control, Smart Stream III
Image Settings	General settings: video title and time stamp overlay, video orientation (flip, mirror), day / night settings; anti-overexposure; Image settings: white balance, image adjustment (brightness, contrast, saturation, sharpness, gamma curve), defog, 3DNR; Exposure: BLC, exposure control, AE speed adjustment, WDR; Privacy mask; Scheduled profile settings; Pixel calculator
Display Mode	Client Dewarping Ceiling mounted: 1O Fisheye, 1P Panoramic, 2P Two Panoramics, 1R One Region, 4R Four Regions, 1O3R One Fisheye Three Regions, 1O8R One Fisheye Eight Regions Wall mounted: 1O Fisheye, 1P Panoramic, 1R One Region, 4R Four Regions, 1P2R One Panoramic Two Regions, 1P3R One Panoramic Three Regions, 1O3R, One Fisheye Three Regions  Local Dewarping Ceiling mounted: 1O Fisheye, 1P Panoramic, 2P Two Panoramics, 1R One Region, 4R Four Regions Wall mounted: 1O Fisheye, 1P Panoramic, 1R One Region, 4R Four Regions

## Audio

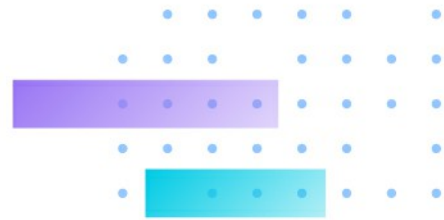
Audio Capability	Two-way Audio (full duplex)
Audio Compression	G.711, G.726
Audio Interface	Built-in microphone
Effective Range	5 meters

## Network

Users	Live viewing for up to 10 clients
-------	-----------------------------------

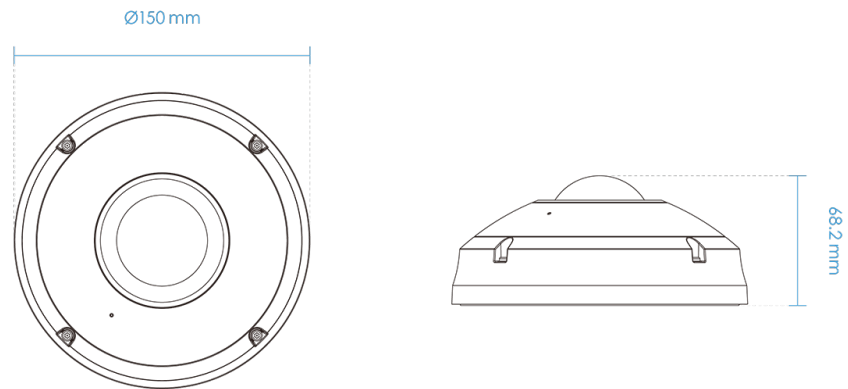


Security	Access list, digest authentication, HTTPS , IEEE 802.1x, password protection, secure boot, signed firmware, Trend Micro IoT Security (brute force attack event, cyberattack event, quarantine event), user access log, user account management
Protocols	802.1X, ARP, Bonjour, CIFS/SMB, DDNS, DHCP, DNS, FTP, HTTP, HTTPS, ICMP, IGMPv3, IPv4, IPv6, NTP, PPPoE, QoS (CoS/DSCP), RTSP/RTP/RTCP, SMTP, SNMP, SSL, TCP/IP, TLS 1.2, UDP, UPnP
Interface	10 Base-T/100 Base-TX Ethernet (RJ-45) *It is highly recommended to use standard CAT5e & CAT6 cables which are compliant with the 3P/ETL standard.
ONVIF	Profile G, S, T supported, specification available at <a href="http://www.onvif.org">www.onvif.org</a>
<b>AI Analytics</b>	
Compute Capability	Built-in CNN acceleration module
Vision Object Analytics	Object Detection: people, vehicle (4-wheeled, 2-wheeled); Attribute Extraction: people (gender, color, bag, hat), vehicle (bike, bus, car, motorcycle, truck, color); Re-Search Extraction; Path Extraction
Event Application	Smart Motion Detection (Five-window video motion detection, people detection, vehicle detection, time filter), Smart VCA (Intrusion detection, loitering detection, line crossing detection, unattended object detection, missing object detection, crowd detection, running detection, parking violation detection*, restricted zone detection*) *License required. Please access <a href="https://license.vivotek.com/">https://license.vivotek.com/</a> for free trial license.
Applications	Deep Learning VCA (Smart Motion Detection, Smart VCA)
<b>Solution Integration</b>	
Applications	Stratocast, Trend Micro IoT Security (3-year free trial)
<b>Alarm and Event</b>	
Event Trigger	Audio detection, camera tampering detection, cybersecurity events (brute force attack event, cyberattack event, quarantine event), manual trigger, motion detection, periodical trigger, recording notification, SD card life expectancy, shock detection, system boot
Event Action	Event notification via audio clip*, email, HTTP, FTP, NAS server, SD card File upload via email, HTTP, FTP, NAS server, SD card, Camera link
<b>General</b>	
Connectors	RJ-45 cable connector for 10/100 Mbps Network/PoE connection
LED Indicator	System power and status indicator
Power Input	IEEE 802.3af PoE Class 0
Power Consumption	Max. 9 W
Dimensions	ø 150 x 68.2 mm
Weight	701 g
Certifications	EMC: CE (EN 55032 Class B, EN 55035), FCC (FCC Part 15 Subpart B Class B), RCM (AS/NZS CISPR32 Class B), VCCI (VCCI-CISPR 32 Class B), UKCA (BS EN 55032:2015+A11: 2020, BS EN 55035:2017+A11:2020, BS EN IEC 62368-1:2020+A11:2020), ICES-003 Issue 7 BSMI (EMC: CNS 13438, Safety: CNS 14336-1) Safety: UL (UL62368-1) CB (IEC/EN 62368-1, IEC/EN 60950-22, IEC/EN 62471); IA: BIS (IS 13252) BSMI (EMC: CNS 13438, Safety: CNS 14336-1) *IK10 (Metal Housing)
Operating Temperature	Starting Temperature: 0°C ~ 50°C (32°F ~122°F) Working Temperature: -10°C ~ 50°C (14°F ~122°F)
Humidity	90% RH (non-condensing)
Warranty	36 months
<b>System Requirements</b>	
Operating System	Microsoft Windows 10/8/7 Mac 10.12 (Chrome only)
Web Browser	Chrome 58.0 or above Internet Explorer 11
Other Players	VLC: 1.1.11 or above
<b>Included Accessories</b>	
Packing Contents	Quick installation guide, alignment sticker, screw pack, mounting bracket
<b>DORI (EN 62676-4 Standard)</b>	
Detect (25PPM 8PPF)	31.5 m (103.3 ft)



Observe (63PPM/ 19PPF)	12.5 m (41 ft)
Recognize (125PPM/ 38PPF)	6.3 m (20.7 ft)
Identify (250PPM/ 76PPF)	3.1 m (10.2 ft)

## Dimensions



## Compatible Accessories

### Mounting Kit



AM-525  
Mounting Adapter